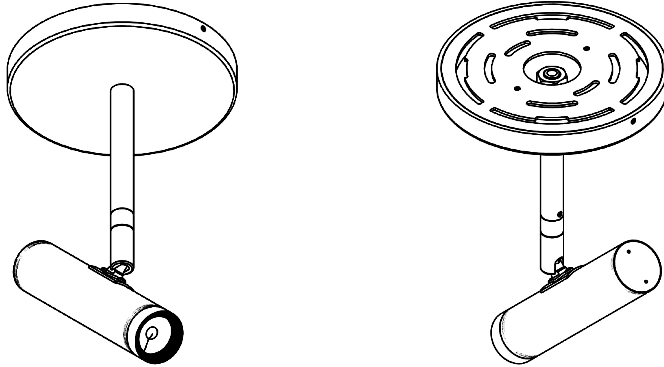


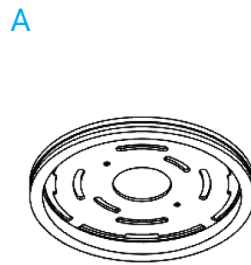
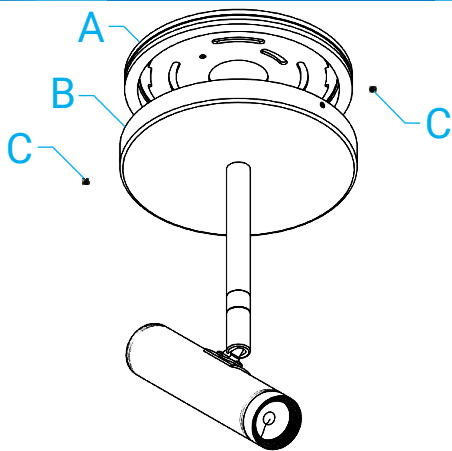
BIRCH TELESCOPIC MOUNT INSTALLATION

BIR-TM

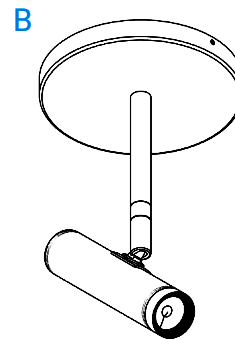
ASSEMBLED OUTLOOK



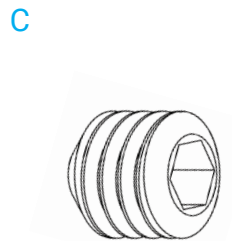
PARTS LIST



Ceiling Plate X1



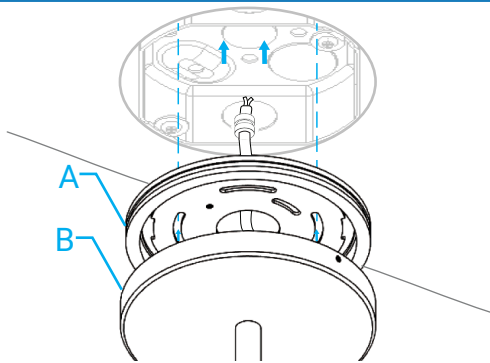
Fixture X1



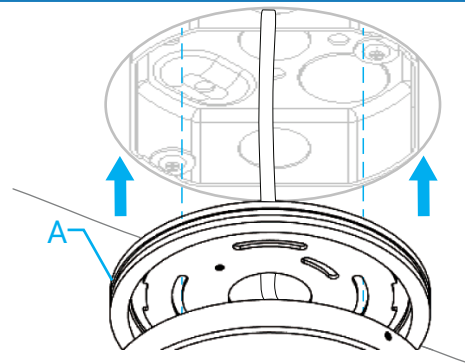
Set Screw X2

INSTRUCTIONS

STEP 1

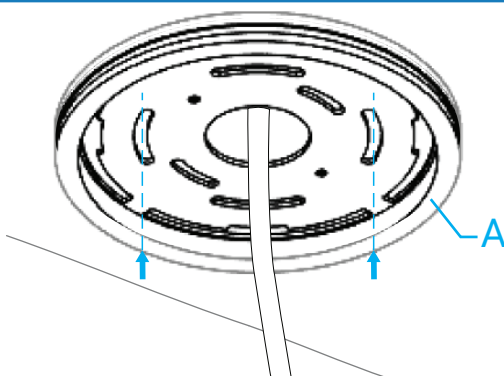


1.1) Feed the Fixture (B) cable wires through the Ceiling Plate (A), then connect cable wires with the Junction Box wires.

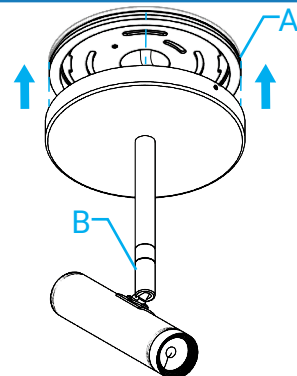


1.2) Align the Ceiling Plate (A) within the Junction Box.

STEP 2



2.1) Proceed to secure Ceiling Plate (A) with fastenal screws. (Please note: Screws are not provided.)

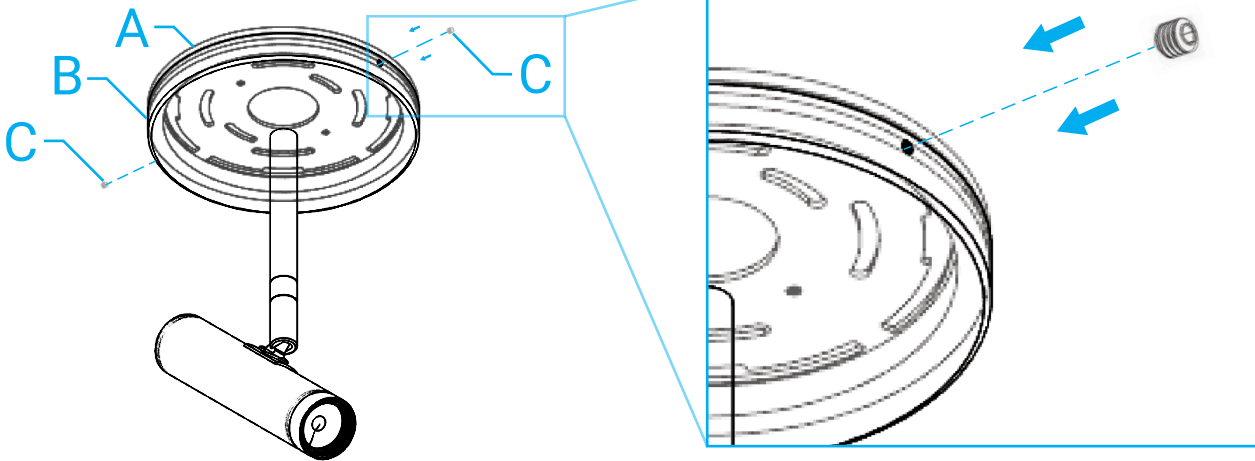


2.2) Align Fixture (B) cover plate with the Ceiling Plate (A).

BIRCH TELESCOPIC MOUNT INSTALLATION

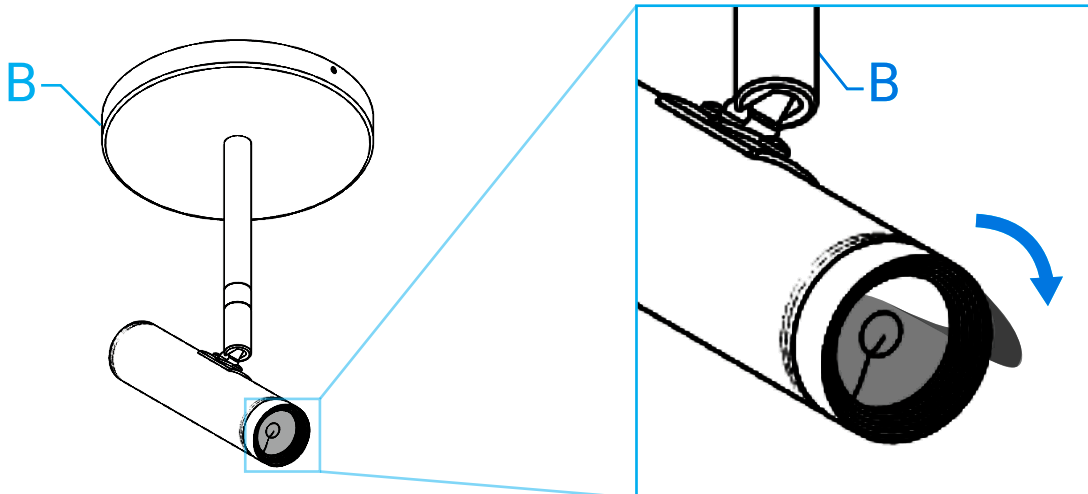
BIR-TM

STEP 3



3.1) Secure Fixture (B) cover plate with the Ceiling Plate (A) by fastening the Set Screws (C).

STEP 4



4.1) Remove the protective tape from the bottom light of the Fixture (A) prior to powering on.