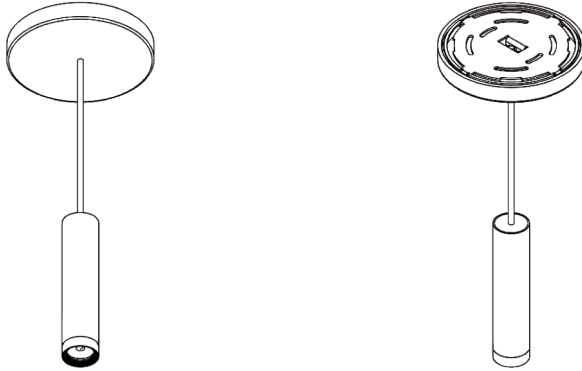


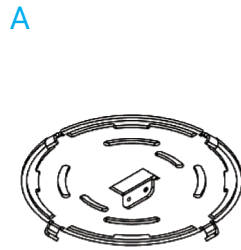
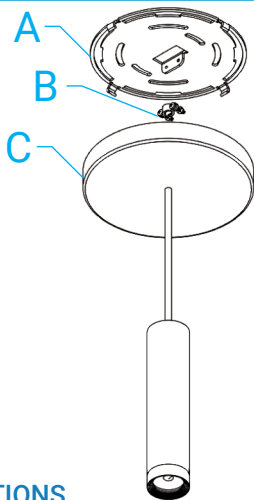
BIRCH PENDANT MOUNT INSTALLATION

BIR-PM

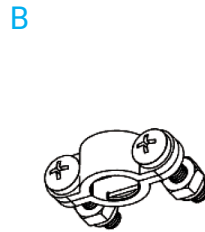
ASSEMBLED OUTLOOK



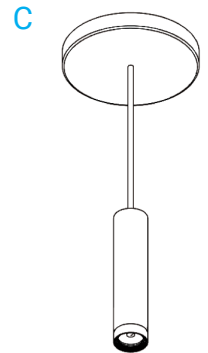
PARTS LIST



Ceiling Plate X1



Cable Gripper X1



Fixture X1

INSTRUCTIONS

STEP 1

1.1) Feed the Fixture (C) cable wires through the Ceiling Plate (A), then connect cable wires with the Junction Box wires.

1.2) Align the Ceiling Plate (A) within the Junction Box.

STEP 2

2.1) Proceed to secure Ceiling Plate (A) with fastenal screws. (Please note: Screws are not provided.)

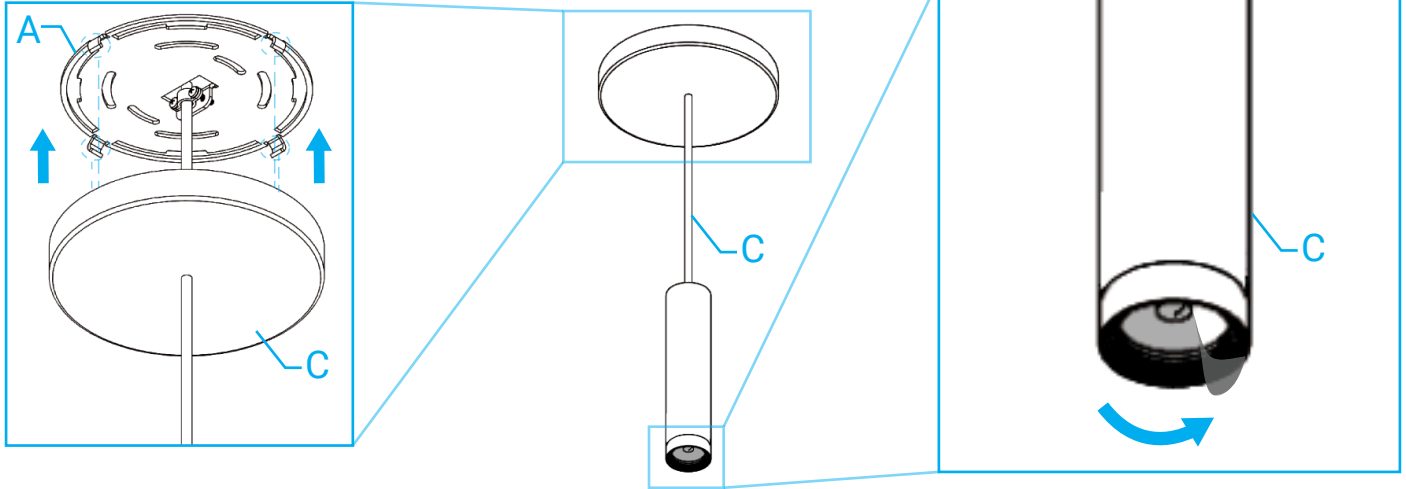
2.2) Adjust Fixture (C) cable length as desired.

2.3) Secure Fixture (C) cable length by tightening the Cable Gripper (B).

BIRCH PENDANT MOUNT INSTALLATION

BIR-PM

STEP 3



2.1) Attach Plate Cover (C) to Ceiling Plate (A) clips.

2.3) Remove the protective tape from the bottom light of the Fixture (A) prior to powering on.