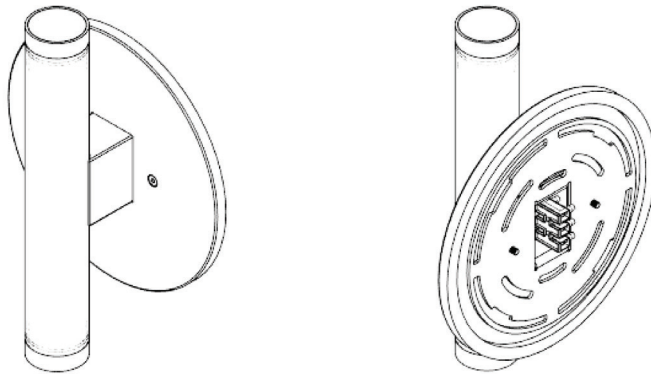


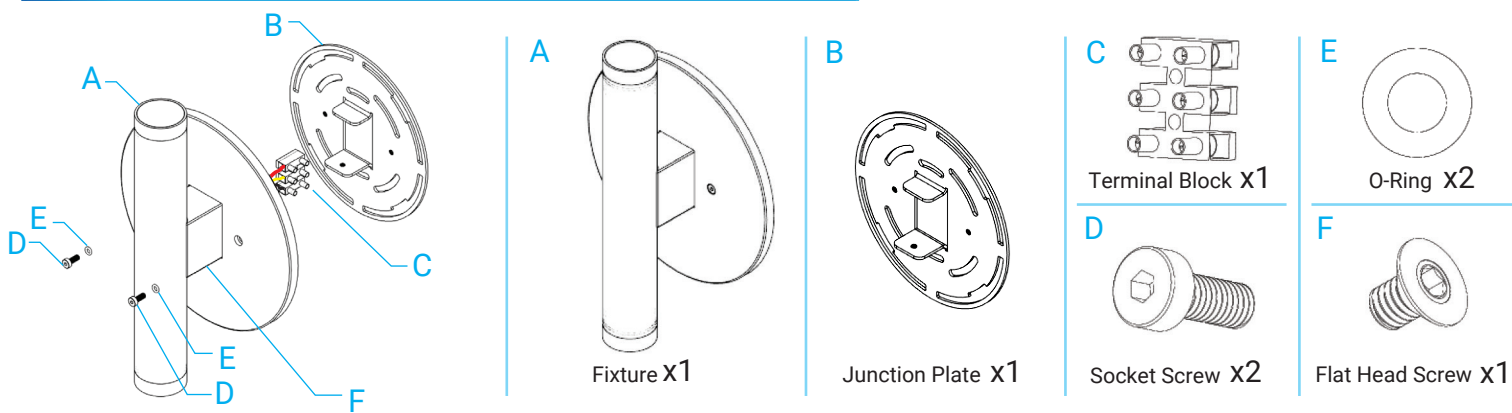
BIRCH WALL MOUNT INSTALLATION

BIR-WM

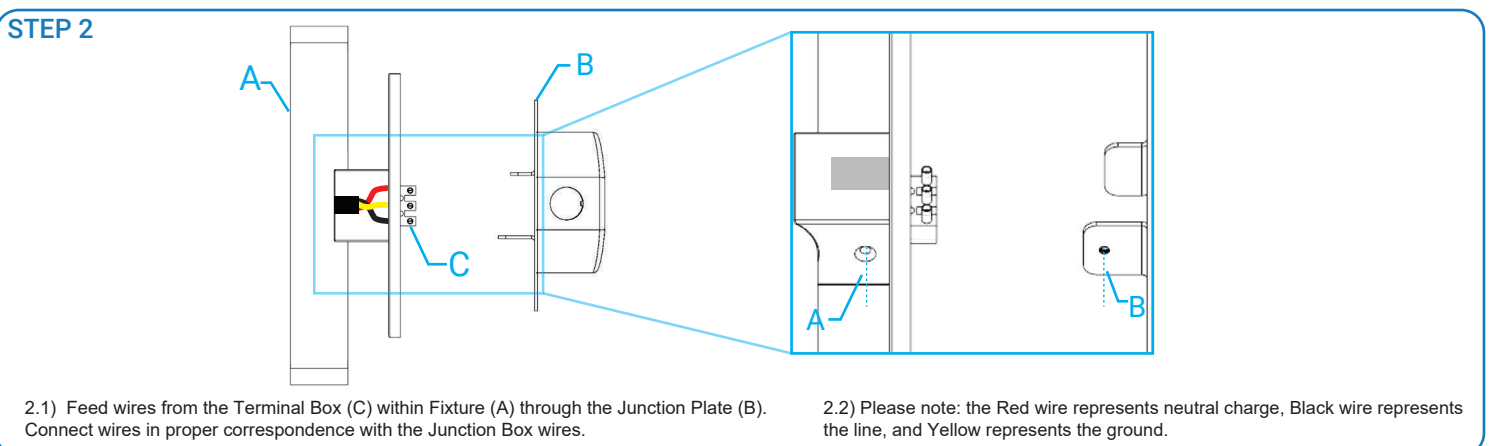
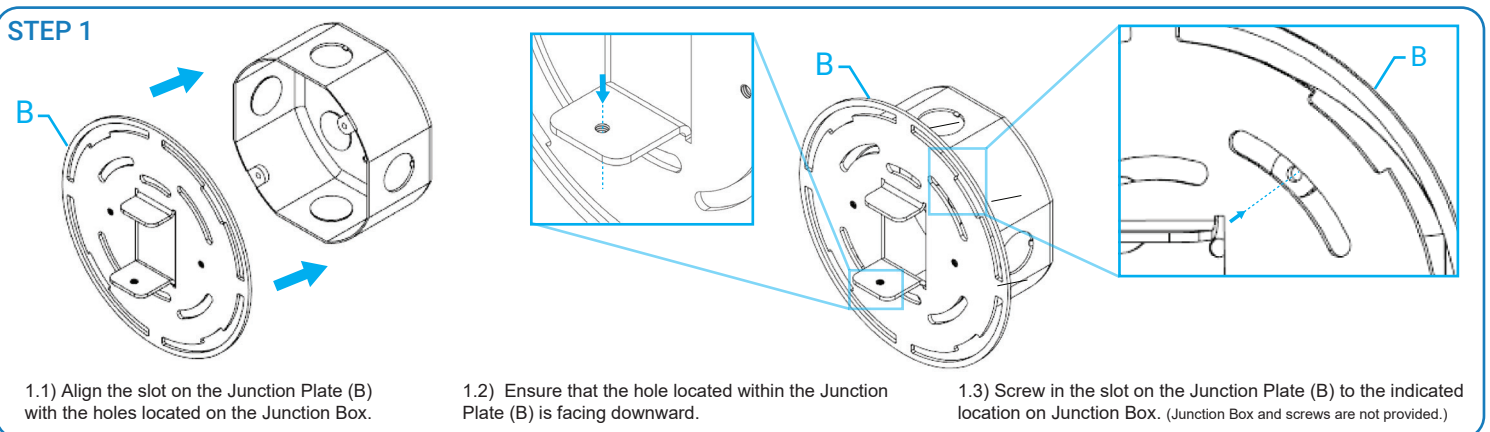
ASSEMBLED OUTLOOK



PARTS LIST



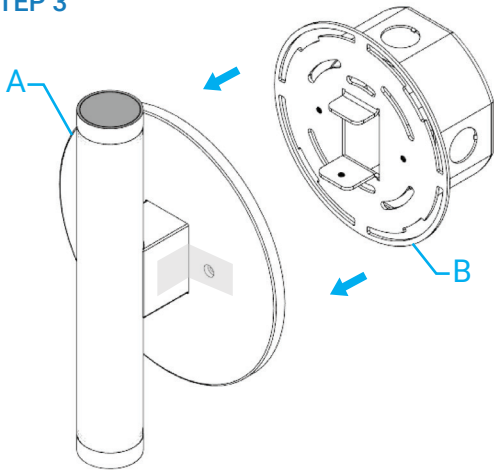
INSTRUCTIONS



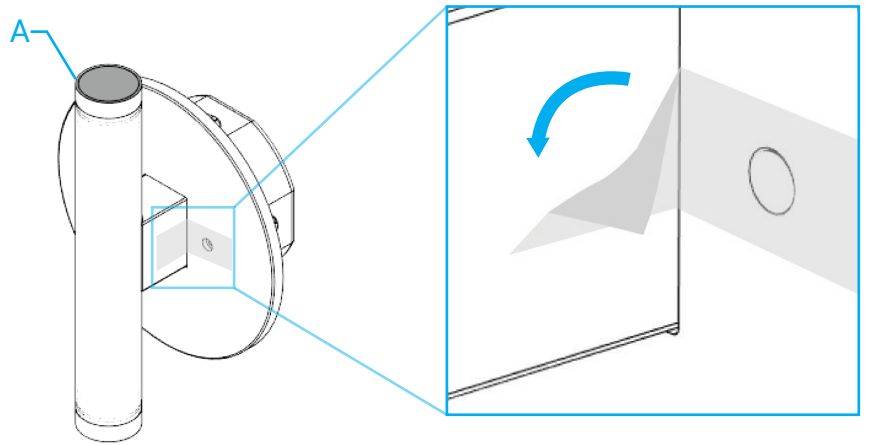
BIRCH WALL MOUNT INSTALLATION

BIR-WM

STEP 3

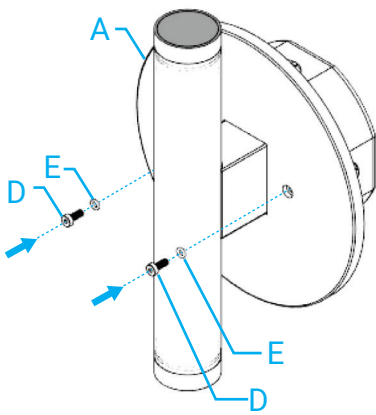


3.1) Place together Fixture (A) and the Junction Plate (B).

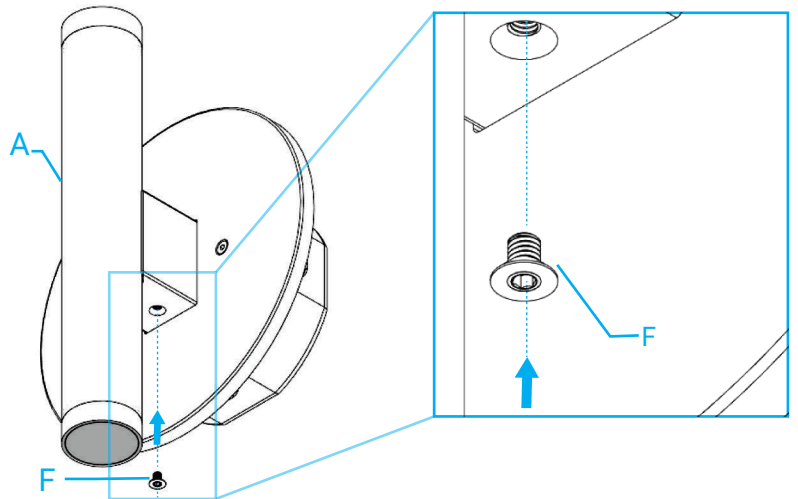


3.2) Remove the protective tape located on the Fixture (A).

STEP 4

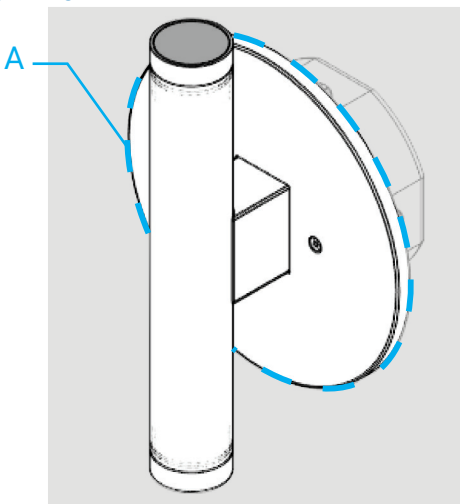


4.1) Insert the O-Ring (E) within the Socket Screw (D) and proceed to screw within Fixture (A) to screw pieces in place.

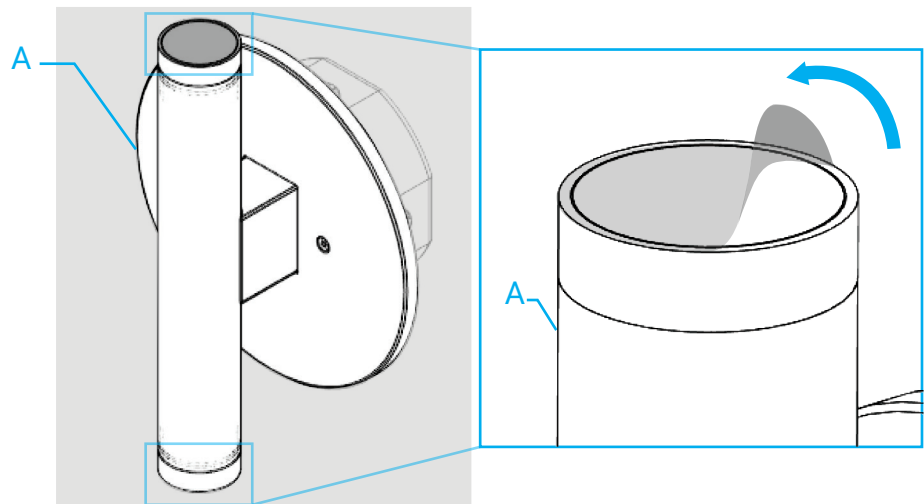


4.2) Screw the Flat Head Screw (F) in the indicated location within the Fixture (A).

STEP 5



5.1) Apply waterproof sealant between the Fixture (A) and wall surface. (Sealant is not provided.)



4.2) Remove the protective tape from the top and bottom lights of the Fixture (A) prior to powering on.