

BIRCH PENDANT SMALL SPEC SHEET

BIR-P-S



IP20
NON-WATER
PROOF



CE 5W

Our BIRCH series LED light fixtures are a simple, yet elegant solution for architectural luminaire. The BIRCH series have three mounting options (Pendant, Wall Mount and Ceiling Mount) and three optic configurations (Narrow, Medium & Wide). Three sizes are available depending on the amount of power needed; Small 5W, Medium 10W and Large 15W. Colour and length of fixture can be customize according to client's specific need.

SPECIFICATION

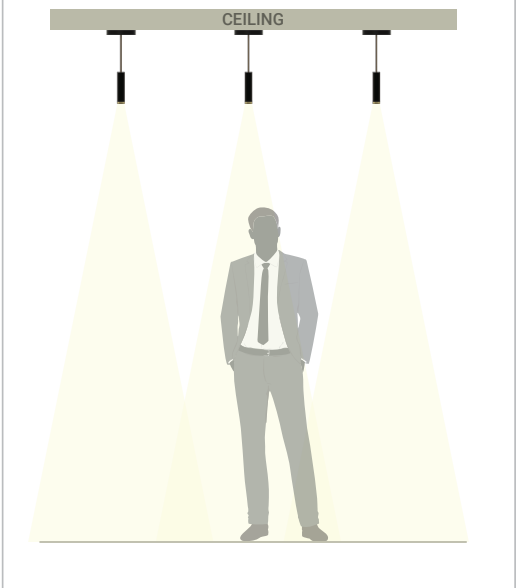
OPERATING VOLTAGE	100 - 240 VAC
OPERATING TEMPERATURE	-20°C to + 50°C
CRI	80
INPUT CURRENT @115 VAC, 60Hz	90 mA
INPUT CURRENT @230 VAC, 50Hz	55 mA
NO OF LED	1
LED TYPE	SMD
LIGHT SOURCE	Samsung
CCT	2200K / 2700K / 3000K / 3500K / 4000K / 5000K
PROJECTION	Narrow, Medium, Wide
FIXTURE CONNECTION	Junction Box
AVAILABLE IP RATING	IP20

DELIVERED LUMENS BY CCT

White	Single (5W)
2700K	232 lm
3000K	242 lm
3500K	242 lm
4000K	250 lm



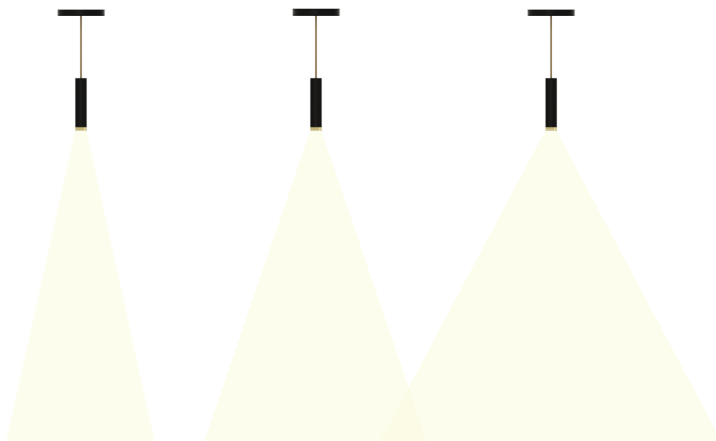
Application



Narrow

Medium

Wide



Honeycomb Louver
(Optional)



BIRCH PENDANT SMALL SPEC SHEET

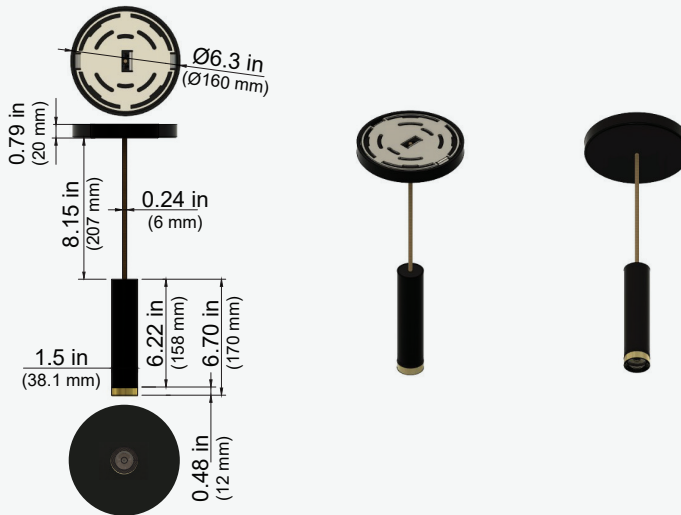
BIR-P-S

ORDERING CODE

PRODUCT SERIES	TYPE	SIZE	POWER	COLOR TEMPERATURE	PROJECTION	MOUNTING	VOLTAGE	ACCESSORIES
BIR	P - PENDANT	S - SMALL	5W - 5 WATTS	CT27 - 2700K CT30 - 3000K CT35 - 3500K CT40 - 4000K	NB - NARROW MB - MEDIUM WB - WIDE	CW - CLEAR WIRE BW - BLACK WIRE	AC - 100~240VAC	N - NONE H - HONEYCOMB
						WIRING	FIXTURE FINISHING	
						WST - STANDARD (207 MM WIRE) WXX - CUSTOM	BODY FINISH	TRIM FINISH
							BWH - WHITE BBL - BLACK BSL - SILVER BCM - CUSTOM	TWH - WHITE TBL - BLACK TSL - SILVER TGD - GOLD TCM - CUSTOM

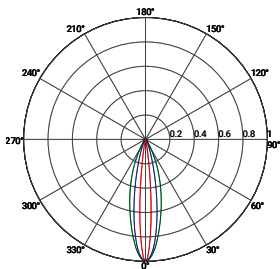
Sample: BIR-P-S-5W-CT22-NB-CW-AC-N-BWH-WST-TGD

DIMENSIONS

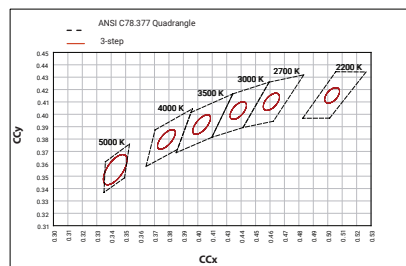


PHOTOMETRIC DATA

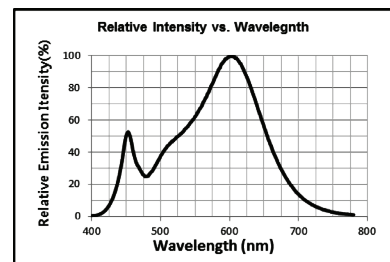
Polar Curve



BIN Details (CIE 1931)



Spectral Distribution



RELATED PRODUCTS

Wall Mount (Single)



Downlight

Uplight

Wall Mount (Double)



Telescopic Mount

